



SX4-QUAD AXLE Side Dump Trailers

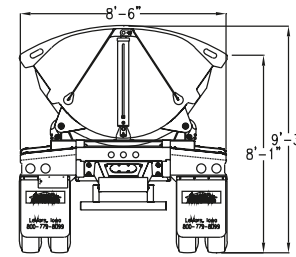
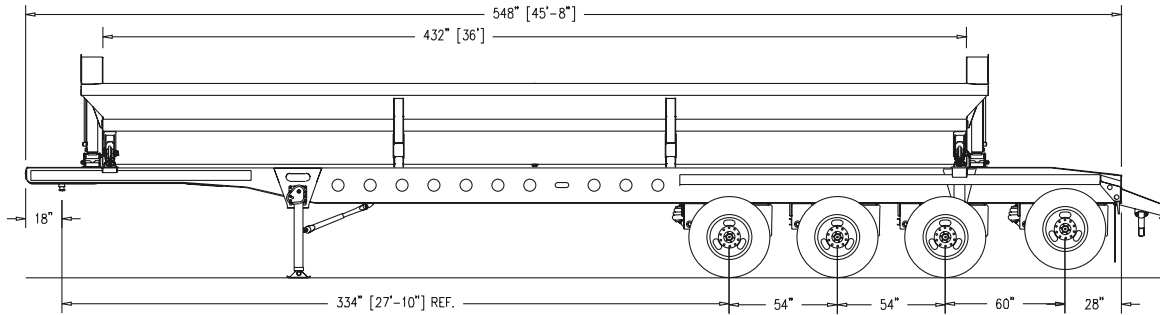
30902 C38 • PO Box 932
Le Mars, Iowa 51031

1-800-779-8099
www.sidedump.com



- ◆ Stock Pile or Windrow
- ◆ Watertight, No Leaks
- ◆ Dump Off of Either Side
- ◆ Low Load Height
- ◆ AR400 Steel Tub,
One Piece Floor
- ◆ 80/100 KSI Steel Frames
- ◆ Self-Aligning, Spherical
Bearing Hinges
- ◆ External Column Tub Supports
 - ◆ No Center Tub Divider
- ◆ Shot Blast Paint Prep
- ◆ Polyurethane Paint



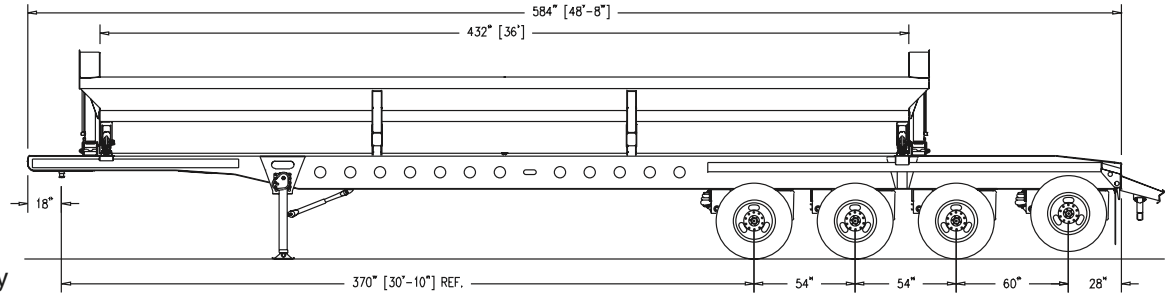


SmithCo Mfg. Co., Inc.

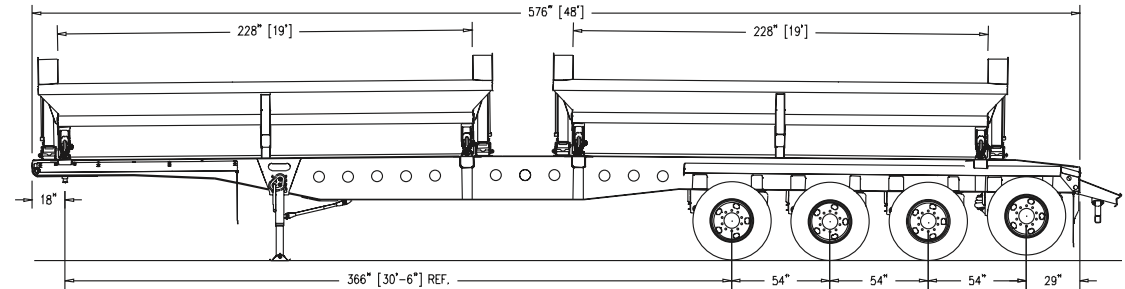
30982 C38, P.O. Box 932
 Le Mars, IA 51031
 Phone: 800-779-8099 or
 712-546-4409
 Fax: 712-546-6008
 Web Site: www.sidedump.com

Model SX4-4636 SmithCo Side-Dump Trailer

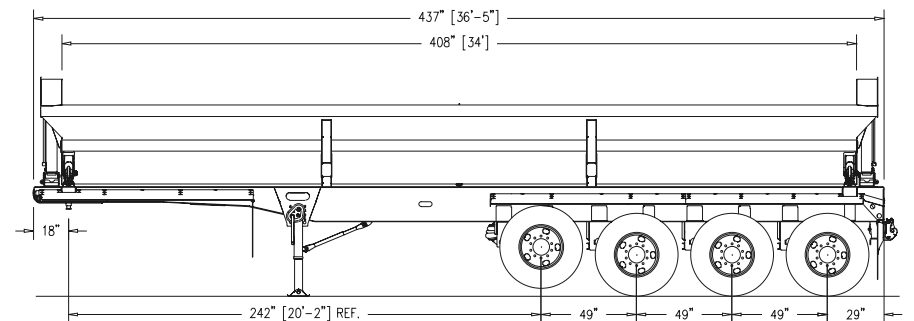
- Frame Length:** 45' 8"
- Tub Length:** 36'
- Width:** 102'
- Height:** 8' 2" @ Tub Side, 9' 4" @ Center
- Tub Capacity:** Round Bottom Tub, 24 Cubic Yard, Waterfull
Round Bottom Tub 32 Cubic Yard, Full Capacity
- Tub Construction:** 1/4" Thick, AR400 Steel (or equivalent)
3/16" Thick, AR400 Steel (or equivalent) is Optional
External Column Supports, No Center Tub Divider
- Frame Construction:** 80/100 KSI, Fabricated Steel I-Beam
- Kingpin:** 2" Kingpin, 18" Setting, Replaceable Type
- Landing Gear:** High Clearance Two Speed, Non-Load Bearing
- Bumper:** Push Bar Type, Bolt-On
- Cylinders:** 3500 PSI, 5" bore
- Hinges:** Self-Aligning, Spherical Bearing Type (greasable)
- Suspension:** Air Ride, Eight Spring & others optional
- Axles:** (4) 25,000# capacity
- Hubs:** 10 Hole, Hub Piloted
- ABS:** 2S1M Anti-Lock Brake System
- Drums:** Outboard Mount, Cast Steel
- Wheels:** Steel Disc, 8.25 x 22.5 (16)
- Tires:** 11 R 22.5 G Radial Tires (16)
- Brakes:** 16 1/2" x 7"
- Fenders:** Front & Rear, 1/4" Synthetic, 7 Degree Slope
- Lights:** 12 Volt ICC w/Sealed Harness
- Mud Flap:** (2) Polyline Anti-Spray Splash
Guard w/SmithCo name
- Paint:** Polyurethane, Any Combination of Gray, White or Black
Special Colors available upon request



Model SX4-4936



Model SX4-4819DT



Model SX4-3734

Minimum Tractor Hydraulic Requirements:

25-30 GPM, 2,200-2,400 PSI, 10 Gallon Reservoir

Manufacturer reserves the right to modify designs, materials and specifications without notice.