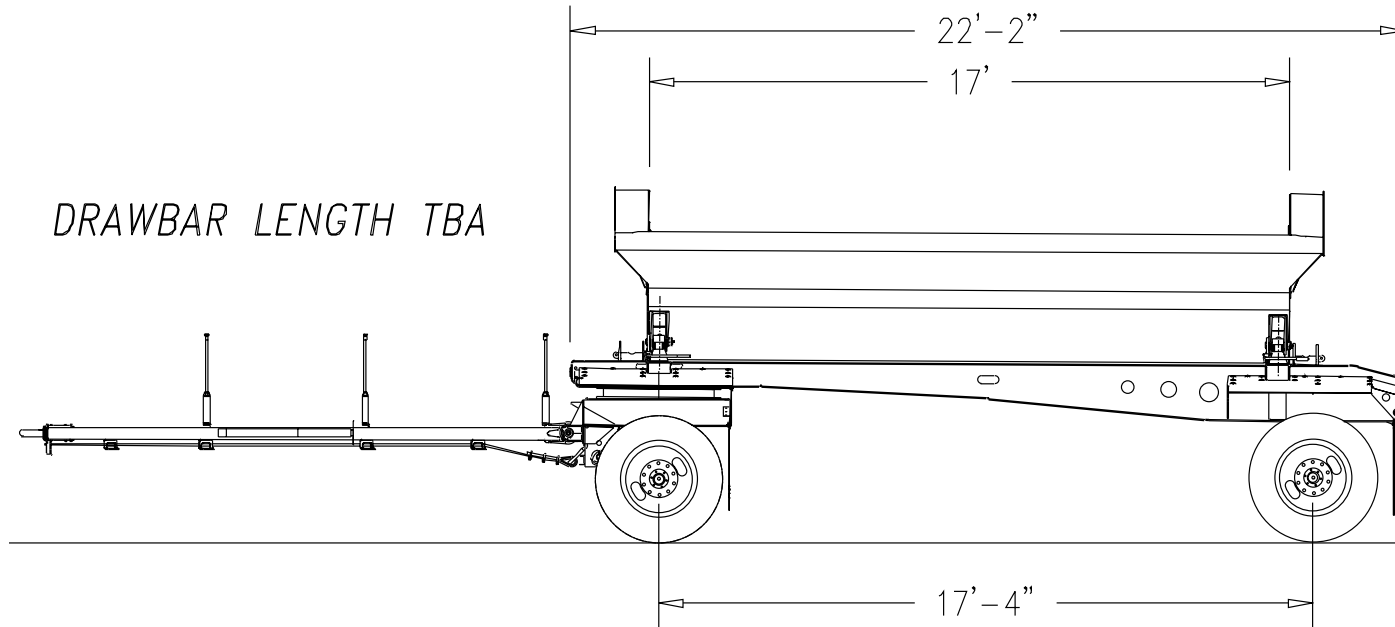


**30902 C38**  
**Le Mars, IA 51031**  
**www.sidedump.com**



**712.546-4409**  
**800-779-8099**  
**Fax 712-546-6008**



**Model S1-2317 SmithCo Side-Dump Trailer with CD-1 Dolly**

<b>Frame Length:</b>	22' 2"	<b>Hinges:</b>	Self-Aligning, Spherical Bearing Type (greasable)
<b>Tub Length:</b>	17'	<b>Suspension:</b>	Air Ride Suspension
<b>Width:</b>	102"	<b>Axles:</b>	(2) 25,000# capacity
<b>Height:</b>	8' 2" at Tub side, 9' 4" at Center	<b>Hubs:</b>	10 Hole, Hub Piloted
<b>Tub Capacity:</b>	Round Bottom Tub, 11.5 Cubic Yard Waterfull	<b>ABS:</b>	2S1M Anti-Lock Brake System
	Round Bottom Tub, 15.5 Cubic Yard, Full Capacity	<b>Drums:</b>	Outboard Mount, Cast Steel
<b>Tub Construction:</b>	1/4" Thick, AR400 Steel (or equivalent)	<b>Wheels:</b>	Steel Disc, 8.25 x 22.5 (8)
	3/16" Thick, AR400 Steel (or equivalent) is Optional	<b>Tires:</b>	11R 22.5 G Radial Tires (8)
<b>Frame Construction:</b>	80/100 KSI, Fabricated Steel I-beam	<b>Brakes:</b>	16 1/2" x 7"
<b>Bumper:</b>	Under-ride Type	<b>Fenders:</b>	Front & Rear, 1/4" Synthetic, 7 Degree Slope
<b>Cylinders:</b>	3500 PSI, 5" bore	<b>Lights:</b>	12 Volt ICC w/ Sealed Harness
<b>Dolly:</b>	Single Axle	<b>Mud Flap:</b>	(2) Polyline Anti-Spray Splash Guard w/SmithCo name
<b>Connection:</b>	Turntable	<b>Paint:</b>	White Tub; Gray Frame Special colors are available upon request
<b>Tongue:</b>	3" Premier Swivel Drawbar Eye Premier Tongue Hinge Assembly (poly)		

**Minimum Tractor Hydraulic Requirements:** 25 - 30 GPM, 2,200 - 2,400 PSI, 10 Gallon Reservoir  
 Manufacturer reserves the right to modify design, materials and specifications without notice.

**30902 C38**  
**Le Mars, IA 51031**  
**www.sidedump.com**



**712.546-4409**  
**800-779-8099**  
**Fax 712-546-6008**

