

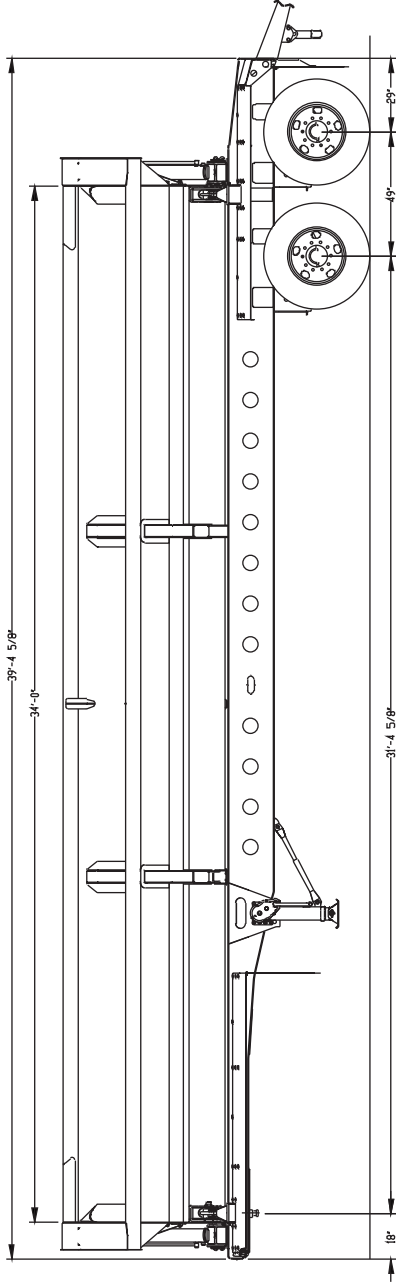


MHVSR SERIES

Side Dump Trailers

30902 C38 • PO Box 932 1-800-779-8099
Le Mars, Iowa 51031 www.sidedump.com

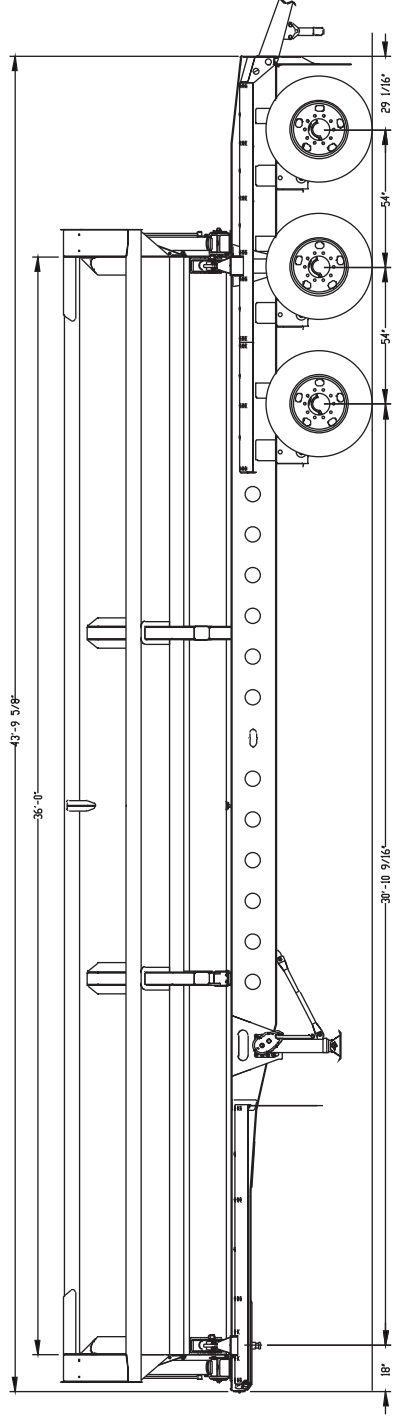




Model S2 MHVSR SmithCo Side-Dump Trailer

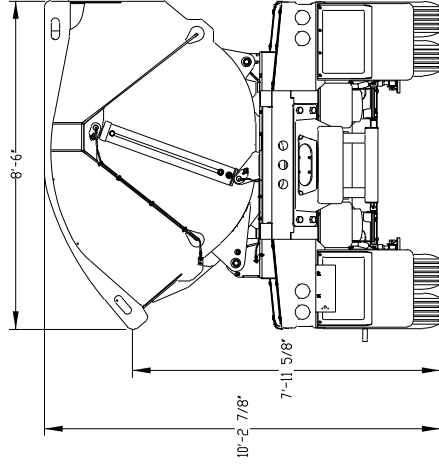
S2-Tandem:	Frame 39' 5" Tub 34'	Suspension:	Air Ride Suspension
Capacity:	25 Cu Yd Waterfull 42 Cu Yd Heaped	Axles:	25,000# Capacity
S3-Triaxle:	Frame 43' 4" Tub 36'	Hubs:	10 Hole, Hub Piloted
Capacity:	27 Cu Yd Waterfull 45 Cu Yd Heaped	ABS:	2SIM Anti-Lock Brake System
Width:	102"	Drums:	Outboard Mount, Cast Steel
Height:	10'3"	Wheels:	Steel Disc, 8.25 x 22.5
Tub Construction:	3/16" AR400 Steel	Tires:	11 R 22.5 G Radial Tires
Frame Construction:	80/100 KSI (T-1), Fabricated Steel I-Beam	Brakes:	16 1/2" x 7"
Landing Gear:	Two Speed, Non-Load Bearing	Fenders:	Front & Rear, 1/4" Synthetic
Bumper:	Push Bar Type, Bolt On	Lights:	12 Volt LED ICC w/Sealed Harness
Kingpin:	2" Kingpin, 18" Setting, Replaceable	Mud Flaps:	(4) Polyline Anti-Spray Splash Guard
Cylinders:	3500 PSI, 5" Bore	Paint: Tub:	Polyurethane, any combination of White, Gray, or Black
		Paint: Frame:	Polyurethane, any combination of White, Gray, or Black

Model S3 MHVSR SmithCo Side-Dump Trailer



Weight Estimate:
14,650 lbs (+/-3%)
S2 MHVSR

Weight Estimate:
16,760 lbs (+/-3%)
S3 MHVSR



SmithCo Mfg. Co., Inc.
 30902 C38, P.O. Box 932
 Le Mars, IA 51031
 Phone: 800-779-8099 or 712-546-4409
 Fax: 712-546-6008
 Website: www.sidedump.com

Minimum Tractor Hydraulic Requirements:
 25-30 GPM, 2200-2400 PSI, 10 Gallon Reservoir

*Other Axle Configurations Are Available