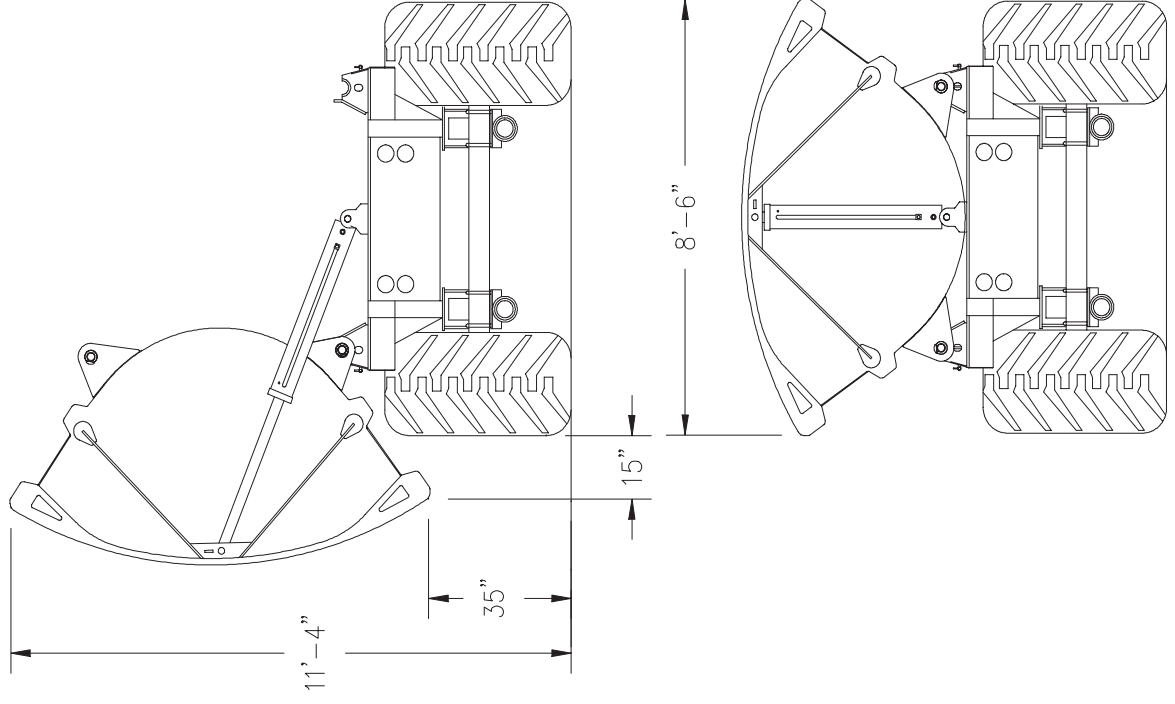
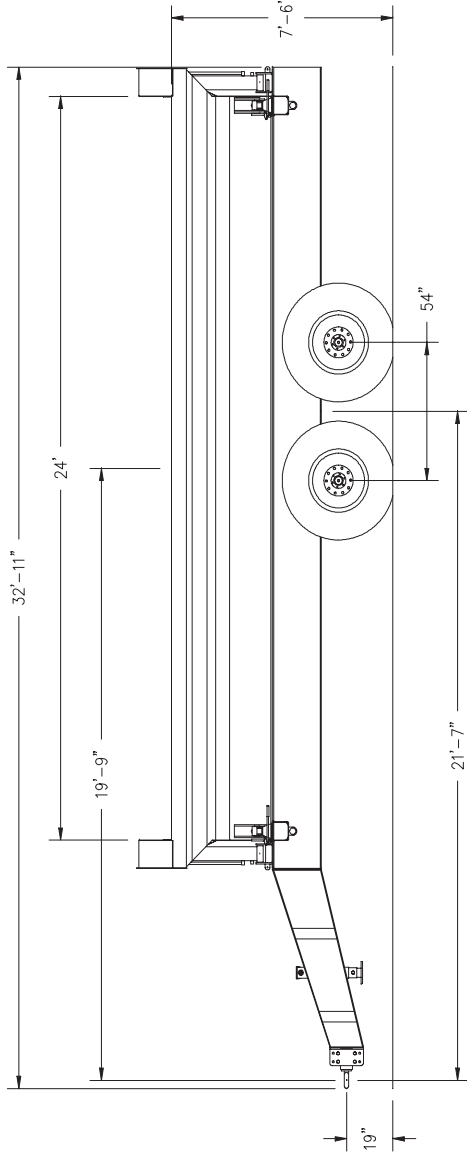


**SmithCo Mfg Co., Inc.**  
 30902 C38, P.O. Box 932  
 Le Mars, IA 51031  
 Phone: 800-779-8099 or 712-546-4409  
 Fax: 712-546-6008  
 Web Site: [www.sidedump.com](http://www.sidedump.com)



## Model 2002 AG-PUP SmithCo Side-Dump Trailer

<b>Pintle Eye:</b>	Side Oscillating
<b>Safety Chains:</b>	1/2" Safety Chains w/Safety Hooks
<b>Frame Length:</b>	32' 11"
<b>Tub Length:</b>	24'
<b>Capacity:</b>	16 Cu Yd Waterfull 22 Cu Yd Heaping
<b>Tub Construction:</b>	3/16" Thick, T-1 Steel (or equivalent) Round or Flat Floor Style Tubs Self-Aligning, Spherical Bearing Type (greasable) 90"
<b>Hinges:</b>	80/100 KSI (T-1), Fabricated Steel I-Beam
<b>Loading Height:</b>	High Clearance
<b>Frame Construction:</b>	3500 PSI, 5" Bore
<b>Landing Gear:</b>	Hutch H-900 60,000 lb Single Point
<b>Cylinders:</b>	25,000# Capacity
<b>Suspension:</b>	10 Hole, Hub Piloted
<b>Axles:</b>	Outboard Mount, Cast Steel
<b>Hubs:</b>	Tubeless, Steel Disc
<b>Drums:</b>	50 x 20 32 ply Airplane Tires (std)
<b>Wheels:</b>	600/55-22.5 Low Ground Pressure (optional)
<b>Tires:</b>	12 Volt ICC w/Sealed Harness
<b>Lights:</b>	SmithCo Gray
<b>Paint: Tub:</b>	SmithCo Black
<b>Paint: Frame:</b>	

**Minimum Tractor Hydraulic Requirements:**  
 25-30 GPM, 2200-2400 PSI, 10 Gallon Reservoir

Manufacturer reserves the right to modify designs, materials and specifications without notice.