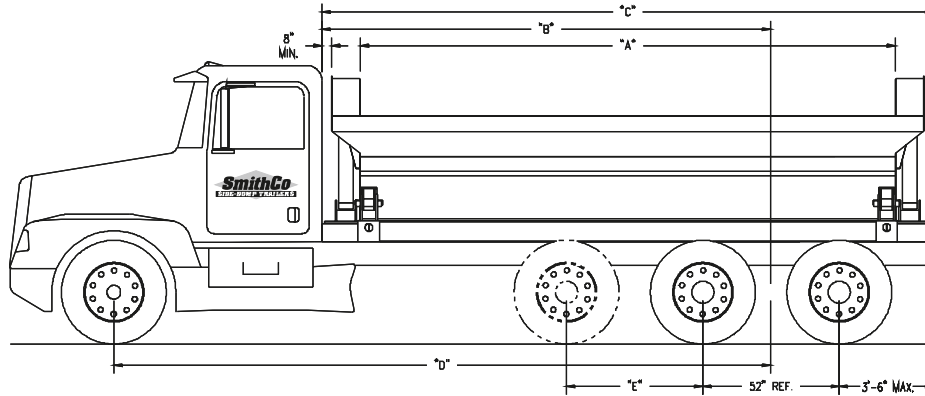
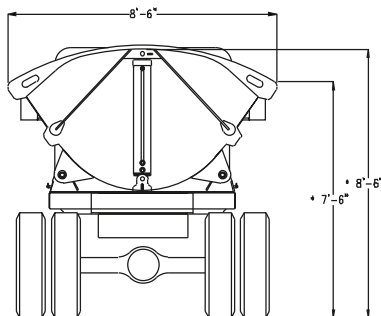


MODEL	Capacity				Capacity		Tare Weight	
	A	B**	C	D	W=Waterfull	H=Heaping	3/16" Tub	1/4" Tub
					W	H		
1008	8'	6'11"	10'5"	A/R	5.4 cu yd	7.4 cu yd	3490 lbs	3880 lbs
1009	9'	7'11"	11'5"	A/R	6.1 cu yd	8.3 cu yd	3575 lbs	4000 lbs
1010	10'	8'11"	12'5"	A/R	6.7 cu yd	9.2 cu yd	3660 lbs	4110 lbs
1011	11'	9'11"	13'5"	A/R	7.4 cu yd	10.1 cu yd	3750 lbs	4230 lbs
1012	12'	10'11"	14'5"	A/R	8.1 cu yd	11.1 cu yd	3835 lbs	4350 lbs
1013	13'	11'11"	15'5"	A/R	8.7 cu yd	12.0 cu yd	3925 lbs	4460 lbs
1014	14'	12'11"	16'5"	A/R	9.4 cu yd	12.9 cu yd	4010 lbs	4580 lbs



MODEL	Capacity				Capacity		Tare Weight		
	A	B**	C	D	W=Waterfull	H=Heaping	3/16" Tub	1/4" Tub	
					W	H			
1012	12'	9'3"	14'5"	A/R	A/R	8.1 cu yd	11.1 cu yd	3835 lbs	4350 lbs
1013	13'	10'3"	15'5"	A/R	A/R	8.7 cu yd	12.0 cu yd	3925 lbs	4460 lbs
1014	14'	11'3"	16'5"	A/R	A/R	9.4 cu yd	12.9 cu yd	4010 lbs	4580 lbs
1015	15'	12'3"	17'5"	A/R	A/R	10.1 cu yd	13.8 cu yd	4100 lb	4700 lbs
1016	16'	13'3"	18'5"	A/R	A/R	10.8 cu yd	14.7 cu yd	4185 lbs	4810 lbs
1017	17'	14'3"	19'5"	A/R	A/R	11.4 cu yd	15.7 cu yd	4270 lbs	4930 lbs
1018	18'	15'3"	20'5"	A/R	A/R	12.1 cu yd	16.6 cu yd	4360 lbs	5040 lbs
1019	19'	16'3"	21'5"	A/R	A/R	12.8 cu yd	17.5 cu yd	4450 lbs	5160 lbs
1020	20'	17'3"	22'5"	A/R	A/R	13.5 cu yd	18.4 cu yd	4470 lbs	5240 lbs



Tub Construction: 1/4" AR400 Steel (or equivalent),
3/6" is optional

Cylinders: (2) 5" Bore, 3500 PSI

Capacity: See Chart

Paint: SmithCo White
Special Colors available upon request

Minimum Truck Hydraulic Requirements:
25 - 30 GPM, 2200 - 2400 PSI, 10 Gallon Reservoir

*Heights may vary depending on truck specifications

**8" min. cab clearance allows room for cylinder pin removal

Vertical exhaust may require additional clearance

Fenders over drive axles is an option

