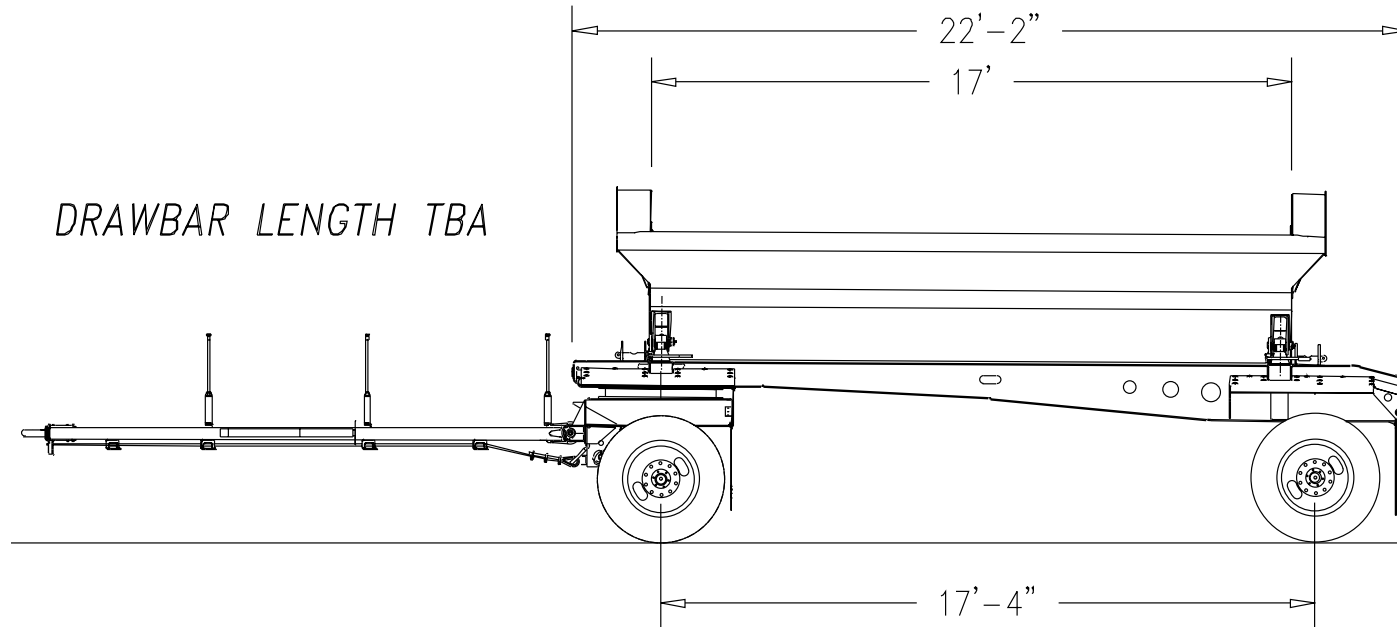


30902 C38
Le Mars, IA 51031
www.sidedump.com



712.546-4409
800-779-8099
Fax 712-546-6008



Model S1-2317 SmithCo Side-Dump Trailer with CD-1 Dolly

Frame Length:	22' 2"	Hinges:	Self-Aligning, Spherical Bearing Type (greasable)
Tub Length:	17'	Suspension:	Air Ride Suspension
Width:	102"	Axles:	(2) 25,000# capacity
Height:	8' 2" at Tub side, 9' 4" at Center	Hubs:	10 Hole, Hub Piloted
Tub Capacity:	Round Bottom Tub, 11.5 Cubic Yard Waterfull	ABS:	2S1M Anti-Lock Brake System
	Round Bottom Tub, 15.5 Cubic Yard, Full Capacity	Drums:	Outboard Mount, Cast Steel
Tub Construction:	1/4" Thick, AR400 Steel (or equivalent)	Wheels:	Steel Disc, 8.25 x 22.5 (8)
	3/16" Thick, AR400 Steel (or equivalent) is Optional	Tires:	11R 22.5 G Radial Tires (8)
Frame Construction:	80/100 KSI, Fabricated Steel I-beam	Brakes:	16 1/2" x 7"
Bumper:	Under-ride Type	Fenders:	Front & Rear, 1/4" Synthetic, 7 Degree Slope
Cylinders:	3500 PSI, 5" bore	Lights:	12 Volt ICC w/ Sealed Harness
Dolly:	Single Axle	Mud Flap:	(2) Polyline Anti-Spray Splash Guard w/SmithCo name
Connection:	Turntable	Paint:	White Tub; Gray Frame Special colors are available upon request
Tongue:	3" Premier Swivel Drawbar Eye Premier Tongue Hinge Assembly (poly)		

Minimum Tractor Hydraulic Requirements: 25 - 30 GPM, 2,200 - 2,400 PSI, 10 Gallon Reservoir
 Manufacturer reserves the right to modify design, materials and specifications without notice.

30902 C38
Le Mars, IA 51031
www.sidedump.com



712.546-4409
800-779-8099
Fax 712-546-6008

